

Naturally adapts to almost every physician, patient, procedure and environment

The Milano E20 is an excellent alternative to traditional procedure chairs. It offers innovative features and modern styling at a competitive price. The multi-specialty general procedure chair is available with options suited for most office-based medical procedures.

The Milano E20 is comfortable for both the operator and patient: it is wider than traditional procedure chairs and offers easy access to people with mobility difficulties, thanks to the chair's adjustable height (lowers to 20.5"/52 cm).

Designed for comfort, the Milano E20 can be used for lengthy procedures. Plus, its physician-configured adjustments provide excellent visibility within the operative field.



Specialty Use

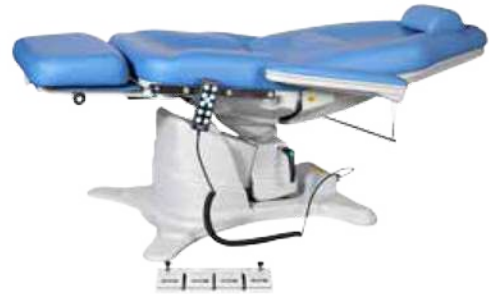
- ENT/Otolaryngology
- Oral & Maxillofacial
- Dental
- Orthodontics
- Plastic, Cosmetic and Aesthetics
- Dermatology
- OB/GYN
- Podiatry
- General Medical



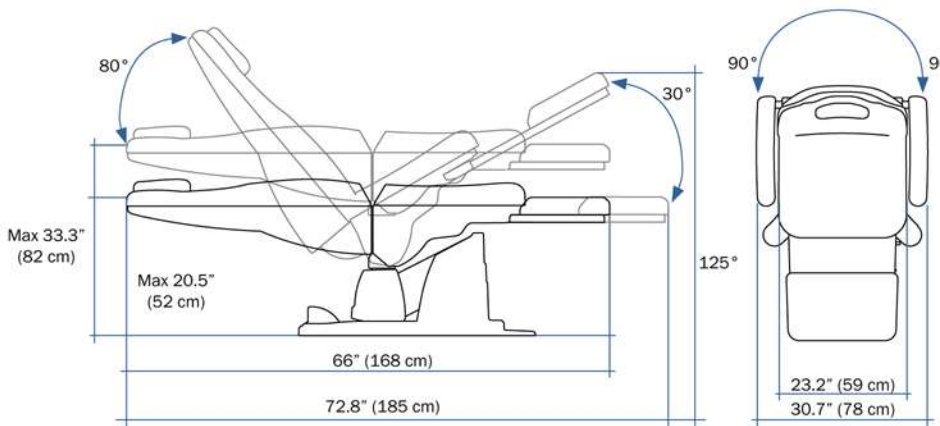
*Adaptable
to your needs
via stable
pedestal*

Features

- Lumbar support mattress: Ergonomic mattress design allows for lumbar-back support, patient comfort and adjustable foot support.
- Foot pedal and handset remote adjusts the height, back and level positioning.
- Convenient “auto return” function restores the chair to the original position and saves time. This allows the patient to easily get on and off the chair.
- Footrest is easily extended with a manual control knob.
- Sleek system with a small footprint.
- Tapered head gives the practitioner easy access for facial procedures.
- 180° chair rotation: Swivel feature provides for efficient access to multiple patient areas.
- Stitchless mattress/covering allows for easy cleanup and sterilization.



Dependable Patient Positioning



Specifications

- Voltage: 100-110 - 230V
- Frequency: 50/60 Hz
- Maximum Consumption: 100W
- Phases: L+N
- Couch Weight: 166 lbs. (75 kg)
- Maximum Capacity Load: 440 lbs. (200 kg)

Optional Accessories

- Standard U.S. armboard rails for a variety of accessories
- Roll holder
- Armrests (comes standard with Side Rails)
- Lamp adaptor
- Heel support
- Metal tray with support
- Jointed thigh support